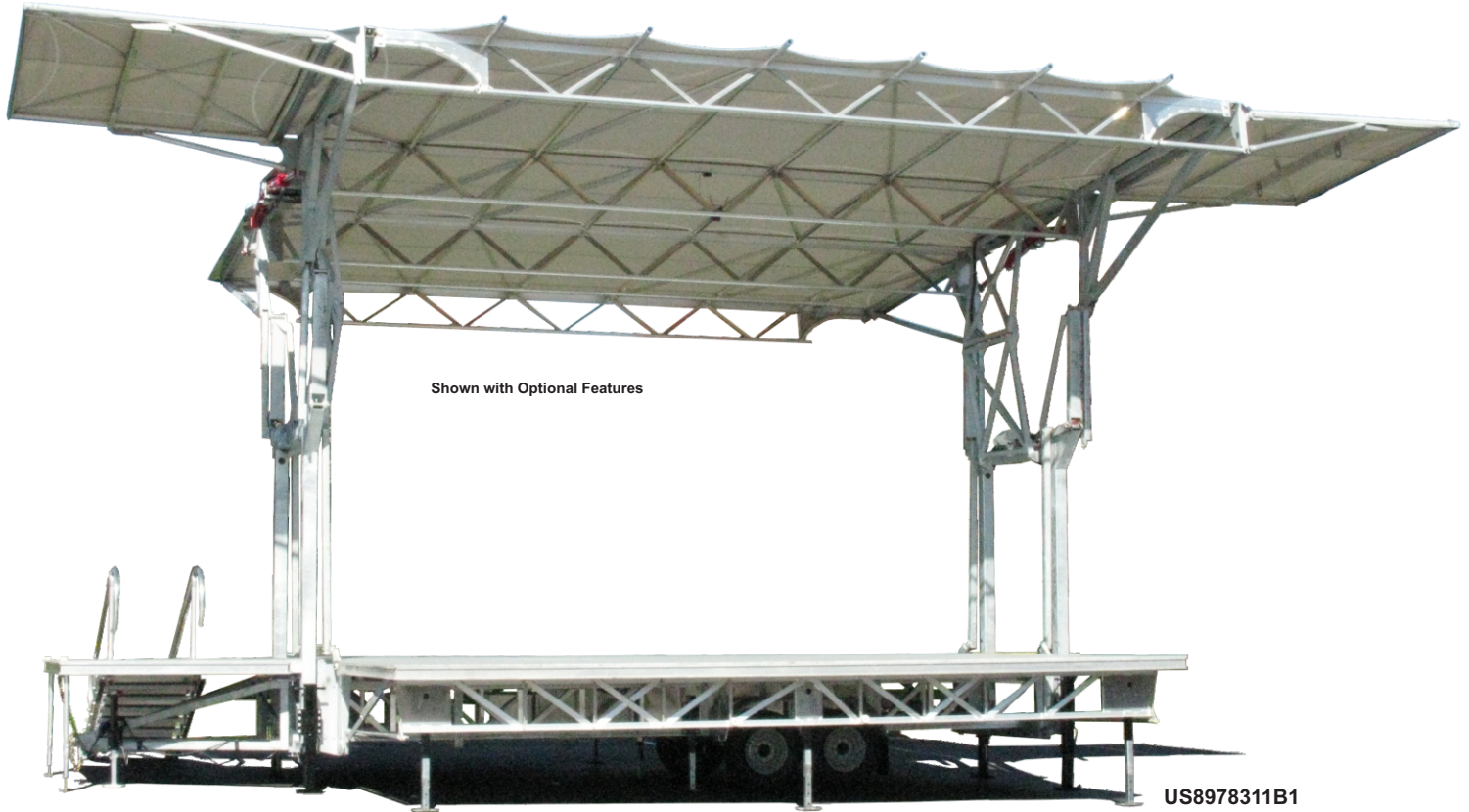


# FrontRow MOBILE STAGES 4500



Shown with Optional Features

US8978311B1

Provide attractive, rugged, covered, commercial level event staging in a fraction of the time and labor traditionally required for comparable outdoor remote site staging.

**FrontRow**  
**CONCERT**  
MOBILE STAGES

Century's FR4500 series of mobile stages feature an innovative operating system, with hydraulic actuation, that sets up quickly and easily, eliminating the time and personnel required for conventional portable and mobile stage systems.

Select a stage size along with the desired optional features to tailor a stage that best serves your current event requirements, while allowing for future growth, and expanding your capabilities.

With a FR4500 outdoor mobile stage, you enjoy increased:

- **Capability**
- **Capacity**
- **Flexibility**
- **Utility**

And, in addition to saving you money, a front row stage can return money to your program through rental income, thus increasing utilization and paying its way.



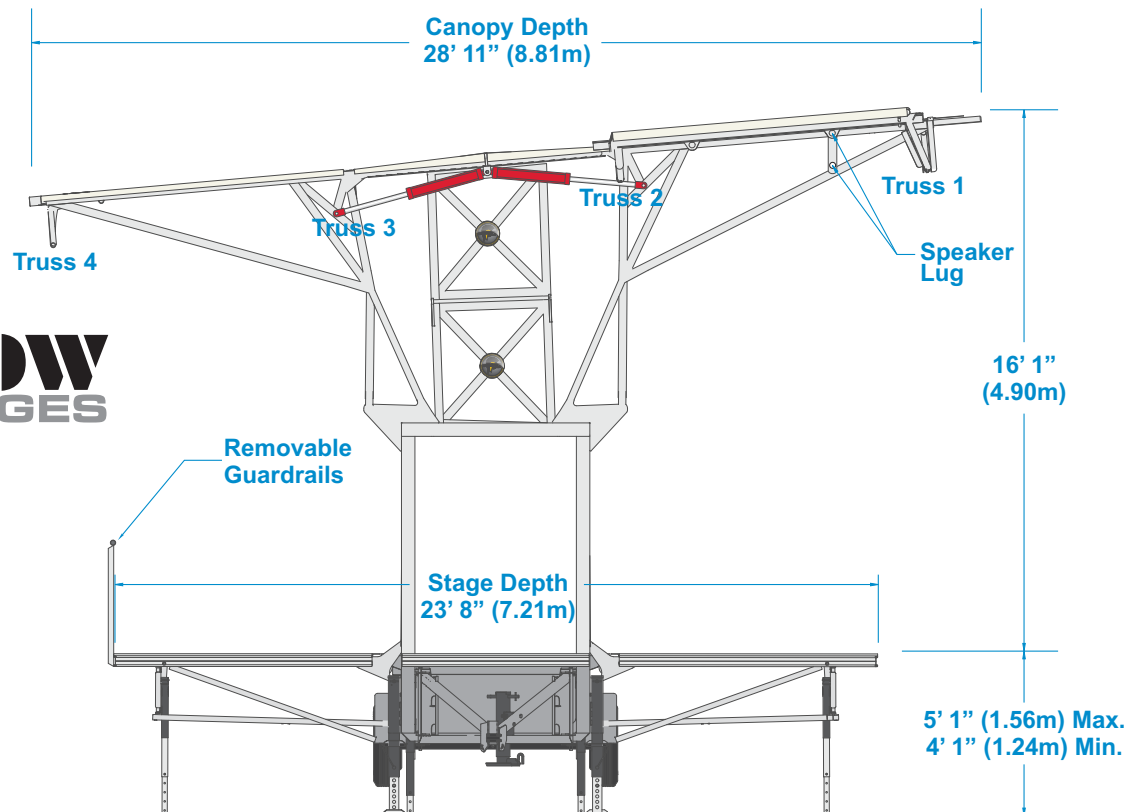
Capable of accommodating a wide range of outdoor events and activities, a FrontRow mobile stage can support the performance requirements for the whole community.

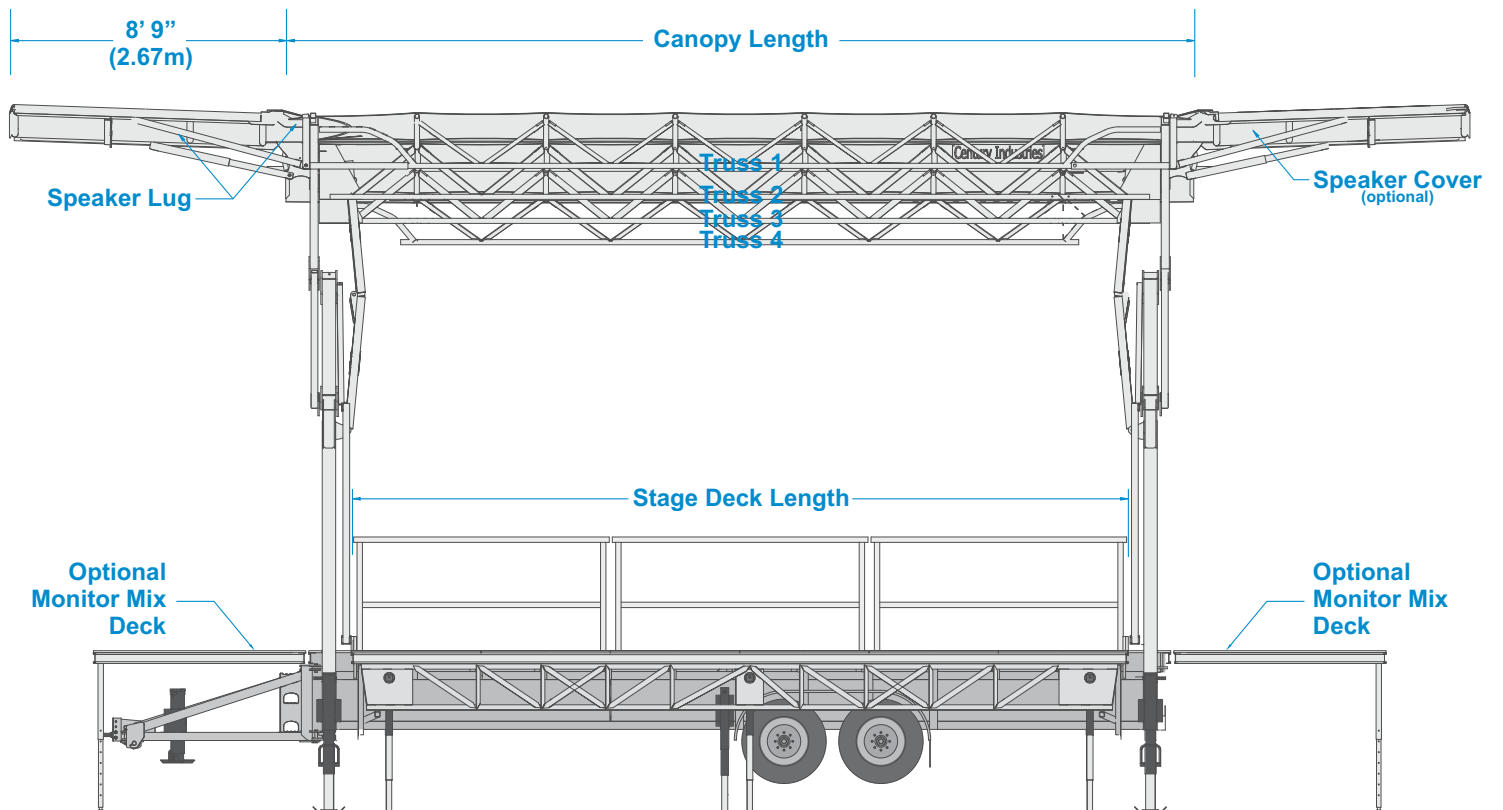
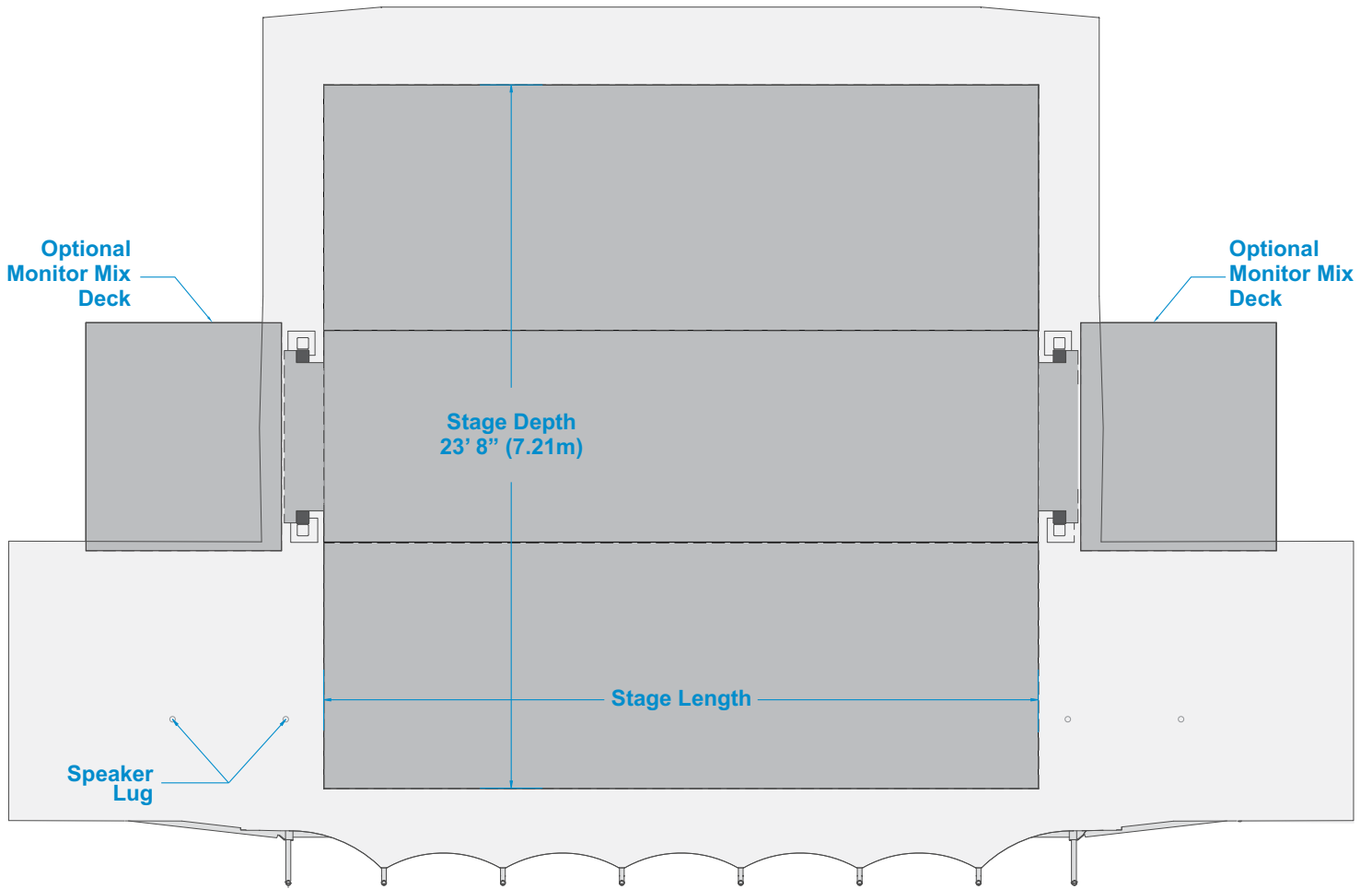
## Standard Features

- **Self-contained hydraulic system** - with remote control, deep-cycle battery, and battery charger for fast, push-button, one-person operation.
- **Powered roof canopy** - full coverage roof extends beyond the deck edges. Aluminum support structure is covered by rugged vinyl coated polyester fabric.
- **Powered stage deck** - all-weather folding stage decks form 24ft (7.32m) deep stage.
- **Heavy-duty tandem-axle suspension** - equalizer system allows towing over curbs and uneven ground. Electric brakes on all wheels.
- **Pintle towing coupler** - rugged lunette ring coupler (optional hitches available) mounted on folding towing hitch.
- **Heavy-duty tongue jack** - crank jack mounted on fold-away towing tongue
- **Rugged main frame** - welded aluminum and galvanized steel backbone frame.
- **Crank leveling/support jacks** - heavy-duty frame mounted jacks provide stage leveling.
- **Deck support truss** - folding decks are supported by welded aluminum leveling trusses for accurate expedited set up.
- **Enclosed mechanical compartment** - welded aluminum compartment protects system components.
- **Breaker panel** - 220V 125 amp capacity load center routes electrical power for stage.
- **LED interior lights** - frame mounted 120V lights illuminate the stage roof and stage deck area.
- **Stairs** - aluminum treadplate stair with ADA enclosed risers and handrails - attach to stage deck perimeter.
- **DOT required** - LED signal, marker lights, reflectors, and license light, with 12VDC connector cable.
- **Engineered** - independent engineer structural certification.

MODEL	STAGE DECK	TOW LENGTH	EMPTY WEIGHT
FR4524	24' X 24' (7.32 x 7.32m)	34' (10.36m)	12,700lbs (5760kg)
FR4532	24' X 32' (7.32 x 9.75m)	42' (12.80m)	14,200lbs (6441kg)
FR4540	24' X 40' (7.32 x 12.19m)	50' (15.24m)	16,900lbs (7666kg)

**FrontRow**  
MOBILE STAGES





# FR4500 SPECIFICATIONS

## Stage Dimensions

	FR4524	FR4532	FR4540
Stage Deck Length*	24' 1"	32' 1"	40' 1"
Stage Deck Depth*	23' 8"	23' 8"	23' 8"
Stage Roof Length	28' 2"	36' 2"	44' 2"
Stage Roof Depth	28' 11"	28' 11"	28' 11"
Stage Deck to Canopy Height - Front	16' 1"	16' 1"	16' 1"
Stage Deck to Canopy Height - Rear	13' 11"	13' 11"	13' 11"
Front Trim Height	14' 11"	14' 11"	14' 11"
Rear Trim Height	12' 7"	12' 7"	12' 7"
Stage Deck Height Range	48"- 61"	48"- 61"	48"- 61"

## Trailer Dimensions - Towing

Overall Trailer Length (standard hitch)	34'	42'	50'
Trailer Body Length	28' 8"	36' 8"	44' 8"
Trailer Width	8' 4"	8' 4"	8' 4"
Trailer Height	13' 1"	13' 1"	13' 1"

## Weights (pounds)

GVWR	18,000	18,900	19,500
Base Stage Weight (no options)	12,700	14,200	16,900

## Truss Static Loads (pounds)

Truss 1 - Downstage (evenly distributed)	1,600	1,600	1,600
Truss 2 - Mid-Stage (evenly distributed)	1,600	1,600	1,600
Truss 3 - Mid-Stage (evenly distributed)	1,600	1,600	1,600
Truss 4 - Upstage (evenly distributed)	2,000	2,000	2,000
Truss 1 + Speakers - Combined Total	8,000	8,000	8,000
Total Canopy Load	13,200	13,200	13,200

## Deck Load

Live Load Rating	150 psf	150 psf	150 psf
------------------	---------	---------	---------