



Mobile Grandstand Seating with Protective Sun Shade Canopy

Offer a new level of spectator comfort and protection with Century's TSP10C series of 10-row mobile grandstand bleachers featuring an integral folding solar shade canopy.

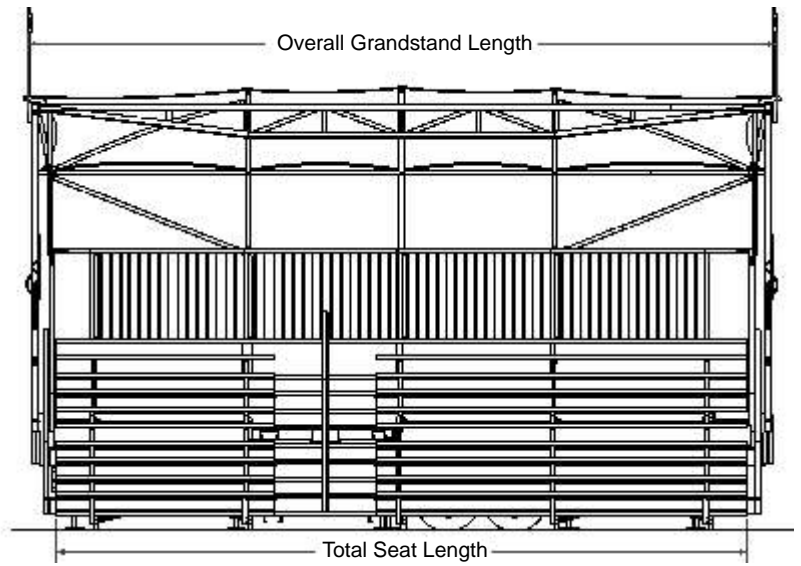
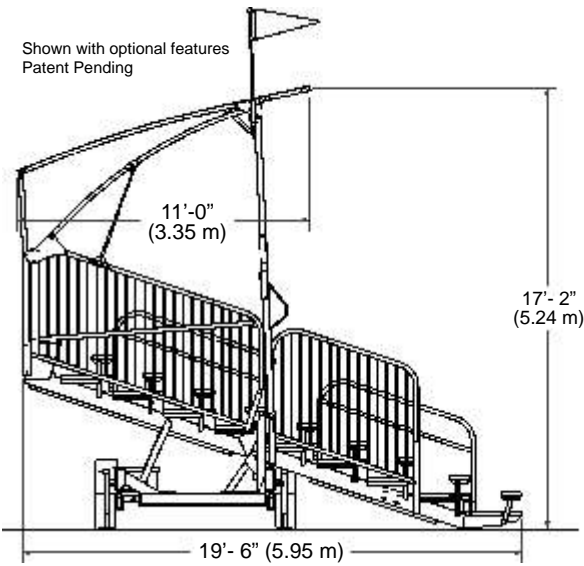
Century's mobile bleacher sun canopy is fully assembled, traveling with the grandstand on public roads, providing UV sun shade canopy protection for spectators, without the traditional time, labor, and complex set up of conventional canopy systems.



Available with a choice of sizes and seating capacities, and with a selection of fabric colors to match your requirements.

Century's TSP10C model mobile bleachers will quickly become your most requested bleachers for outdoor events.

Shown with optional features
Patent Pending



MODEL	SEATING			TRAILER DIMENSIONS			BLEACHER DIMENSIONS			Weight (lbs)
	Capacity*	Rows	Length	Width	Length**	Height	Length	Depth	Height***	
TSP10C - 180	180	10	27'-0" (8.32 m)	8'-4" (2.54 m)	34'-1" (10.39 m)	12'-10" (3.91 m)	29'-4" (8.93 m)	19'-6" (5.94 m)	7'-5" (2.26 m)	7460 (3384 kg)
TSP10C - 260	260	10	39'-0" (11.89 m)	8'-4" (2.54 m)	46'-2" (14.07 m)	12'-10" (3.91 m)	41'-4" (12.60 m)	19'-6" (5.94 m)	7'-5" (2.26 m)	9545 (4330 kg)
TSP10C - 300	300	10	45'-0" (13.72 m)	8'-4" (2.54 m)	52'-2" (15.90 m)	12'-10" (3.91 m)	47'-4" (14.43 m)	19'-6" (5.94 m)	7'-5" (2.26 m)	11200 (5080 kg)

* Max seating capacity calculated at 18"/seat. ** Trailer length includes hitch. *** Top seat above ground level.

Overview

- 10 Seat rows high
- 24" Seat row spacing for increased comfort
- Choice of seat lengths and seating capacities
- Uniform slope for increased safety and codes
- Concealed hinge points
- One person push-button setup
- Self-Stowing over-center design
- Reduced towing weight, reduced site impact
- Outdoor weather-resistant construction
- Bleacher may be set back to increase front walkway

Support Structure

- 12" galvanized steel channel main frame
- 7" galvanized steel channel support structure

Guardrails

- Aluminum construction
- Rounded guardrail frames
- Attached to bleacher structure for automatic operation

Seat & Footboards

- Full length without gaps
- Anodized aluminum

Actuation System

- Self-contained hydraulic actuation system powered by 12VDC battery system with built-in charger
- Mechanical components mounted in enclosed compartment
- Hydraulic actuation cylinders are retracted during transport and storage for maximum protection
- Actuators do not penetrate main frame

Leveling/Support

- Multiple frame mounted support jacks permit bleacher operation on soft surfaces.
- Jacks pivot 90 degrees to prevent damage during towing, reduce cranking, and increase adjustment travel for unlevel or uneven terrain.

Transport

- Hitch – removable/retractable, with choice of pintle or 2 5/16" ball coupler, or optional gooseneck
- Retractable hitch – permits end-to-end bleacher placement
- Tandem axle suspension for highway towing stability
- Electric brakes on all four wheels
- Highway rated tires
- Rugged equalizer leaf-spring suspension accommodates curbs and off-road towing
- Fenders with mud flaps
- LED DOT marker and signal lights

Weather Resistance

- Hot dip galvanized steel components after fabrication
- Anodized aluminum seat and footboards

Sun Shade Canopy

- Fabric - UV stabilized, fire resistant, high-density polyethylene knit
- Choice of fabric colors
- Aluminum canopy support structure
- Folds for transport and storage

Specifications subject to change without notice.

© 2010